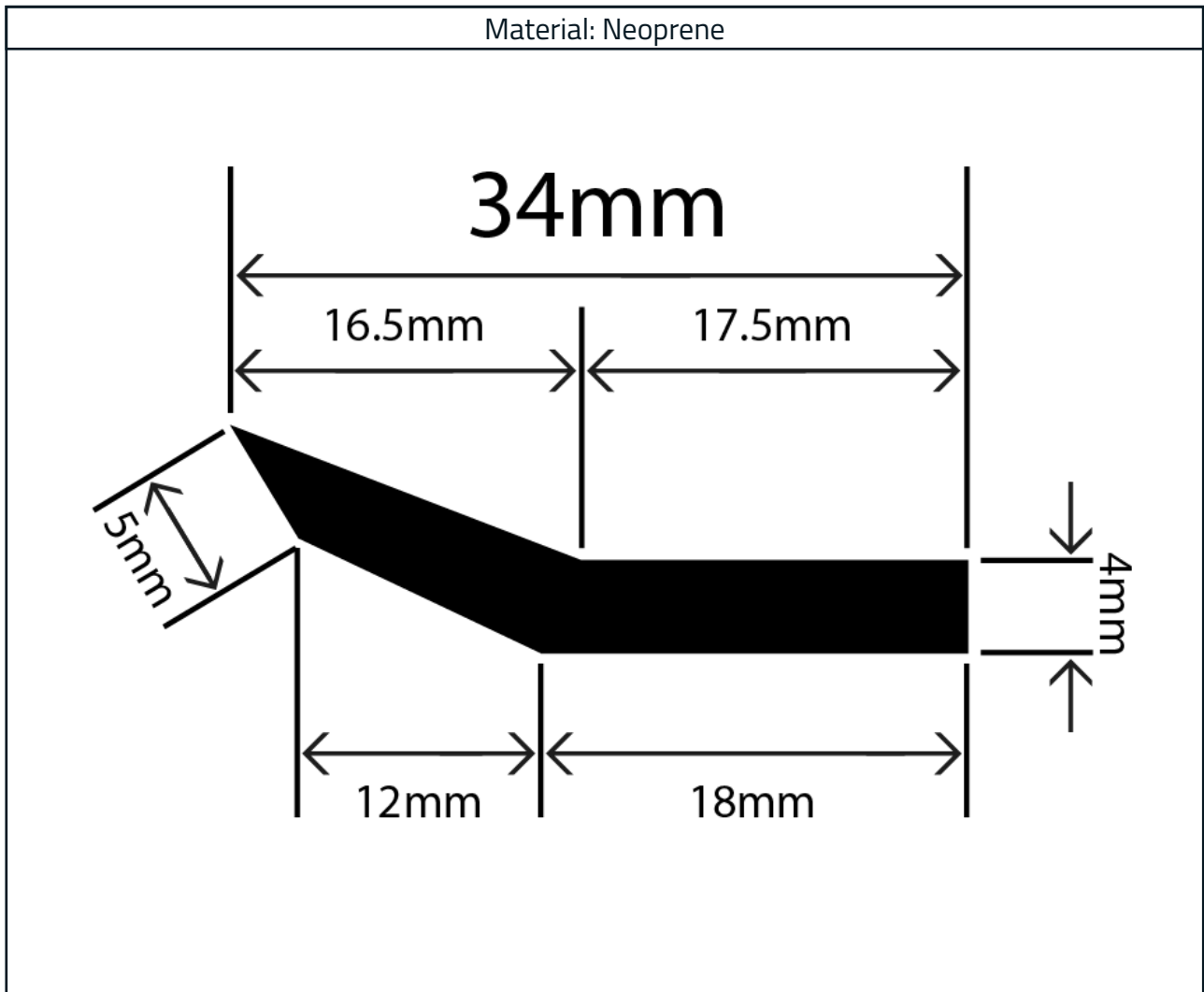


## Neoprene Rubber Angle Profile RCAP34X4L



### Measurements:

Height	Width
4mm	34mm

The information contained on this product information sheet is to be used as guidance. The advice is given in good faith and does not constitute any guarantee or recommendation for suitability. The Rubber Company cannot be held liable for any damage caused by incorrect installation. We hereby reserve the right to change the technical information herewith without notification or prior agreement.



Manufacturers · Designers · Distributors

Experts in  
**Rubber**

## Technical Data

### Material Specification

Properties	Values
Polymer	Neoprene
Hardness (IRHD)	65-75
Tear Strength (KN/M)	17
Tensile Strength (MPA)	5
Compression Set (22 Hours at 70°C (%))	70
Elongation at Break (%)	400



The information contained on this product information sheet is to be used as guidance. The advice is given in good faith and does not constitute any guarantee or recommendation for suitability. The Rubber Company cannot be held liable for any damage caused by incorrect installation. We hereby reserve the right to change the technical information herewith without notification or prior agreement.