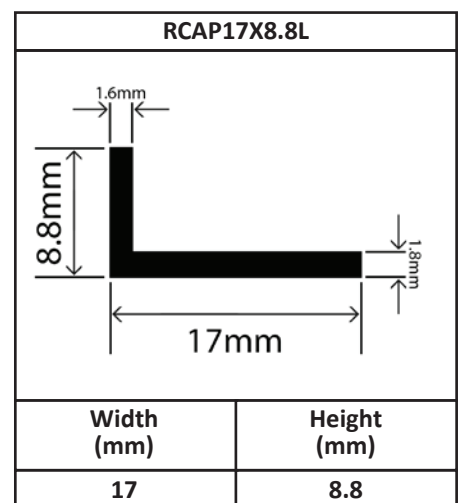
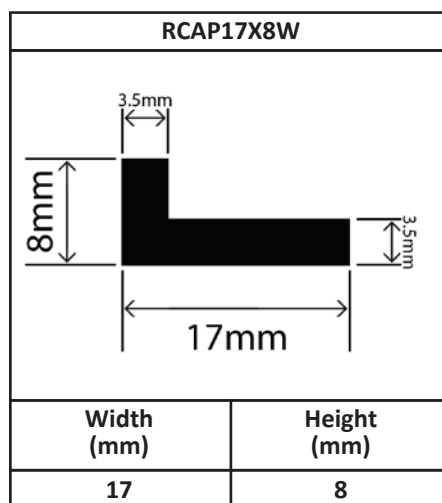
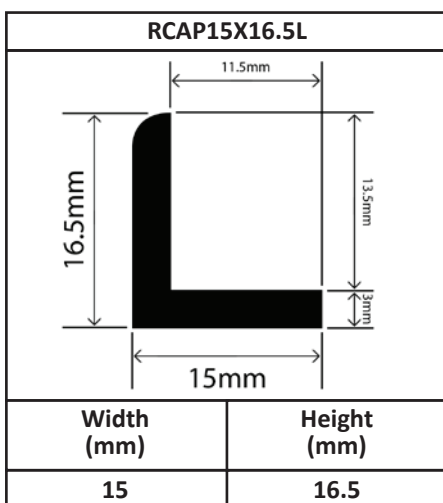
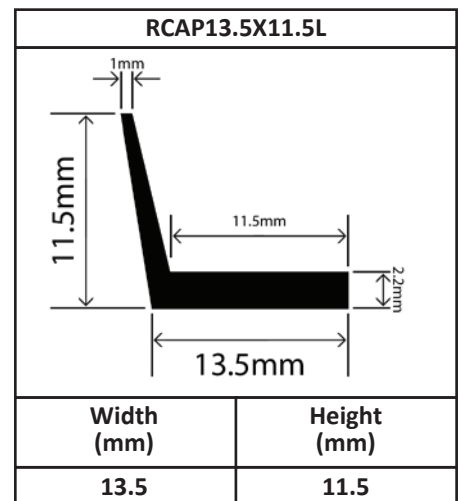
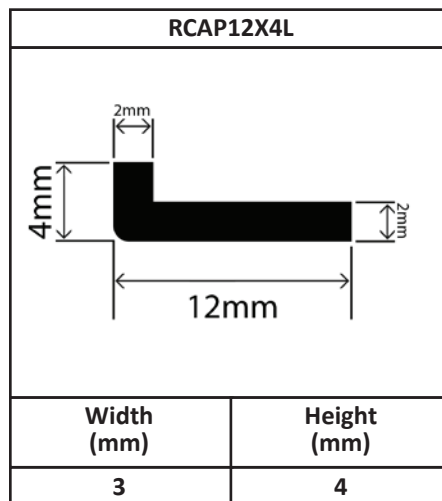
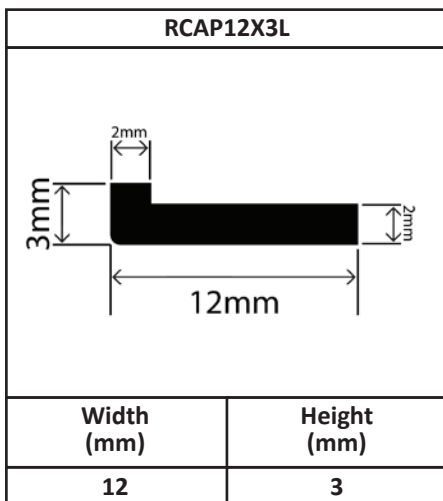
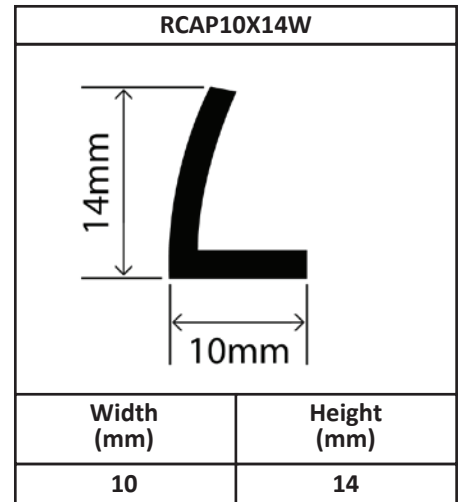
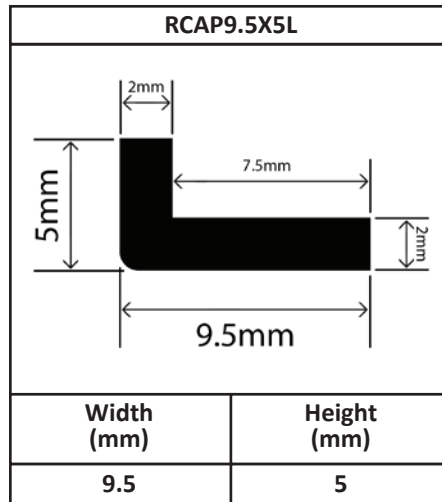
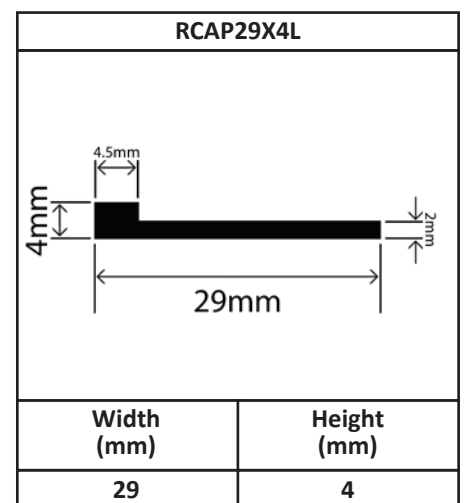
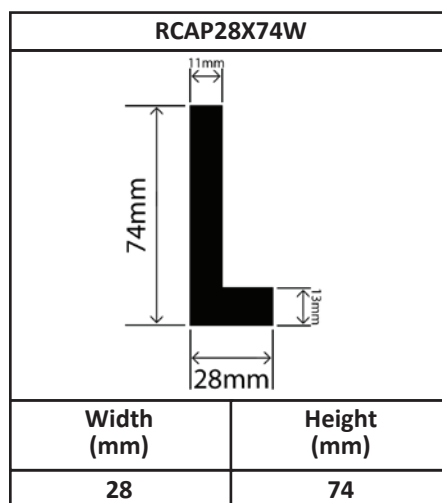
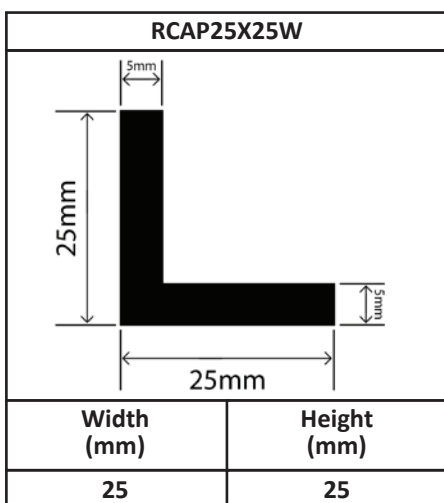
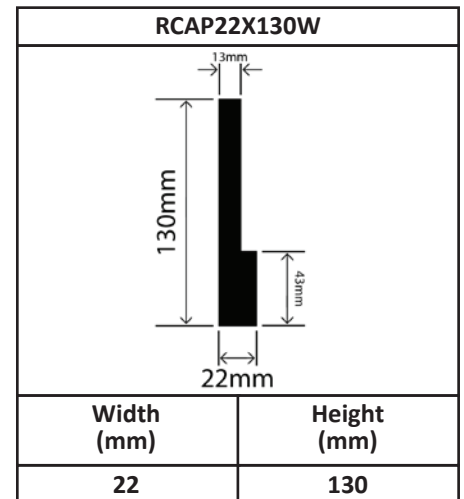
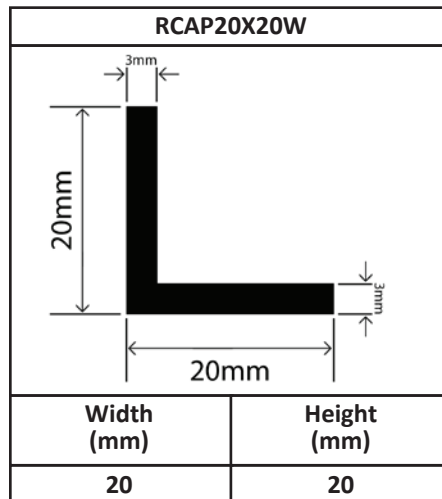
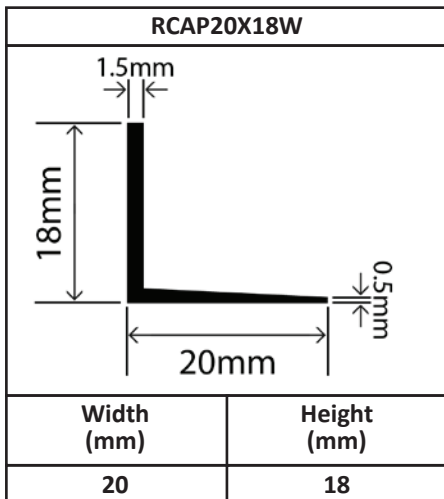
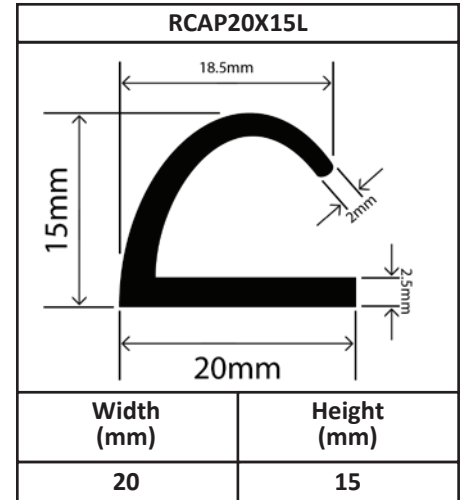
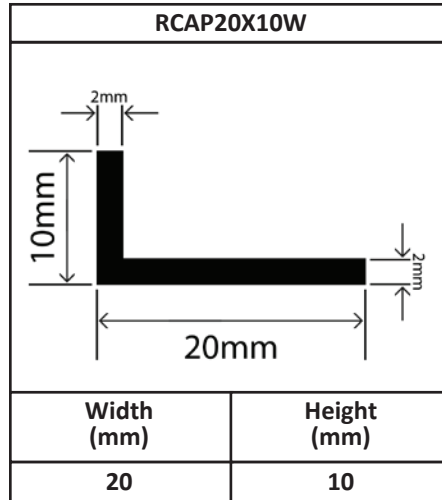
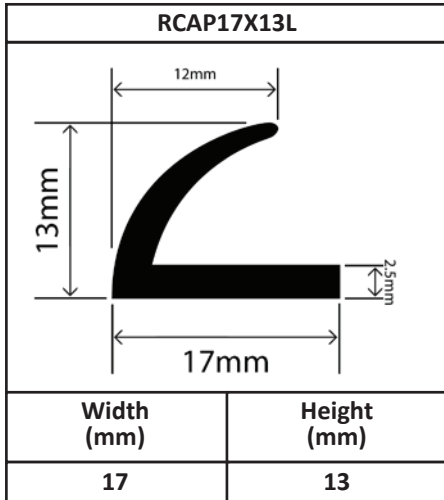


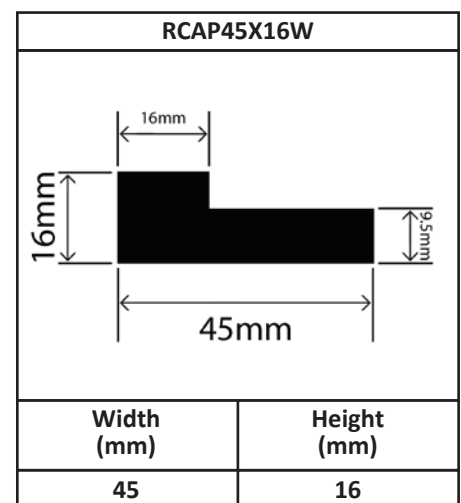
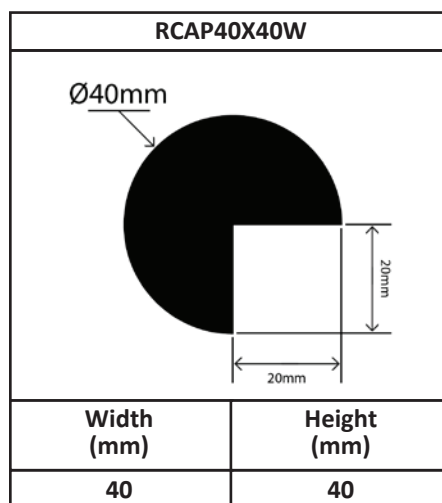
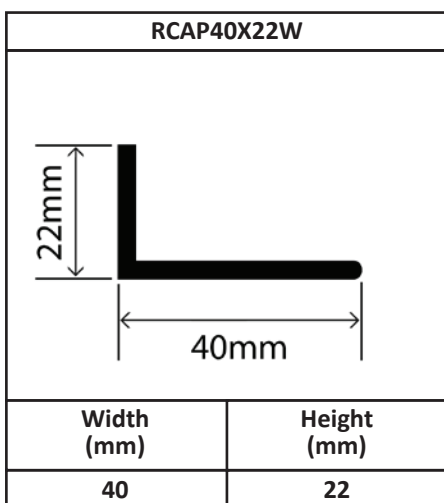
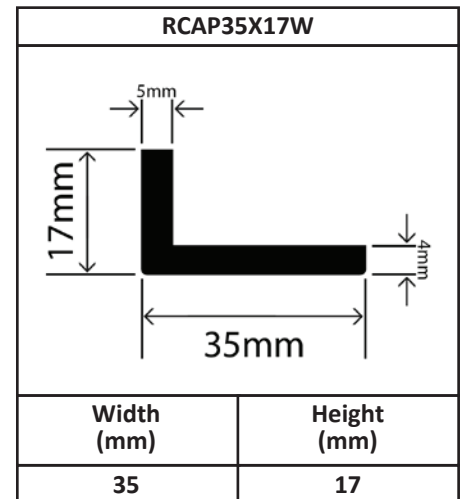
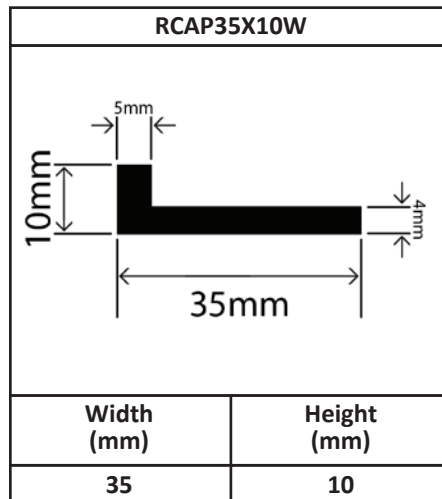
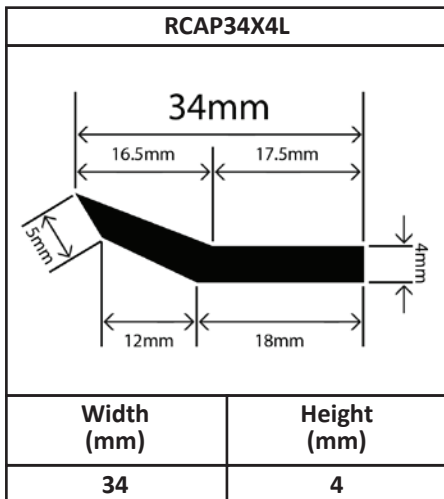
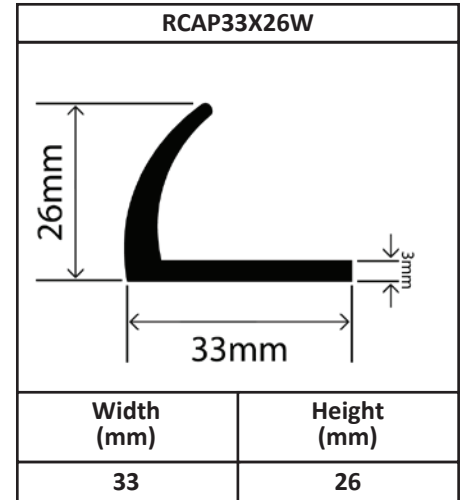
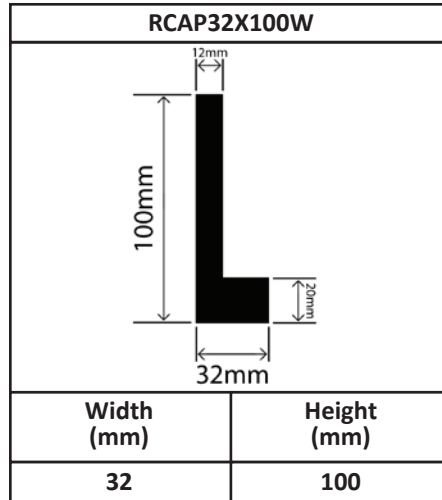
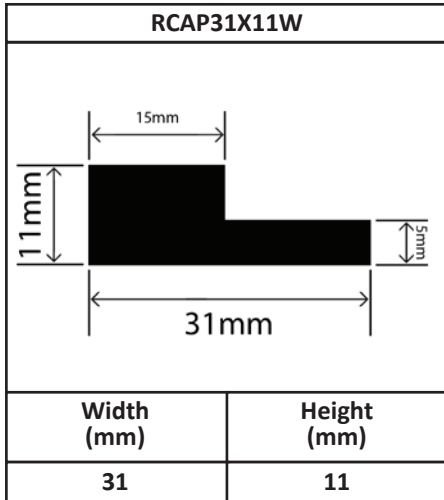
Rubber Angle Extrusions & L Profiles



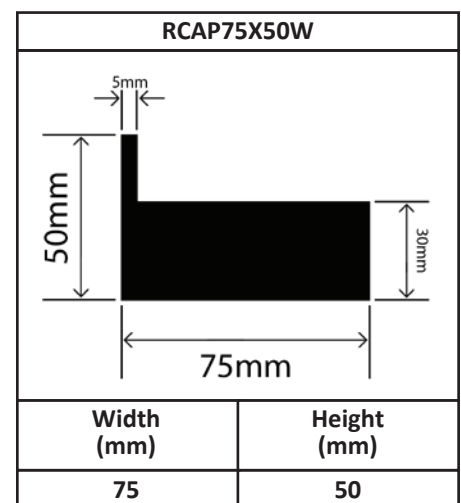
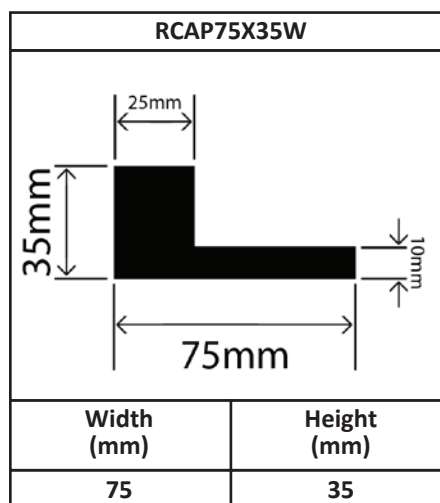
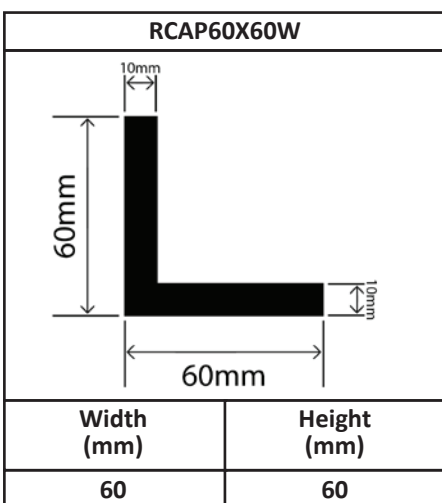
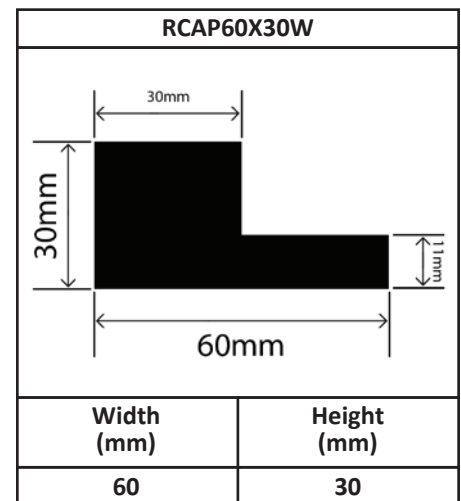
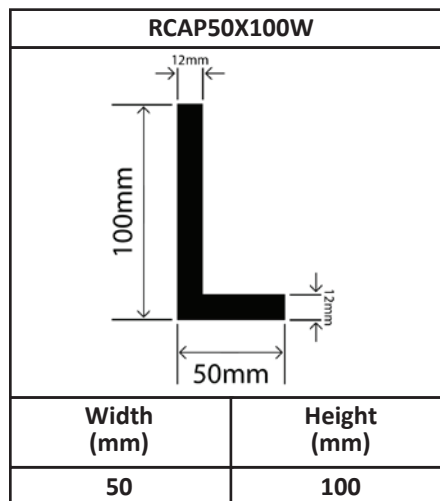
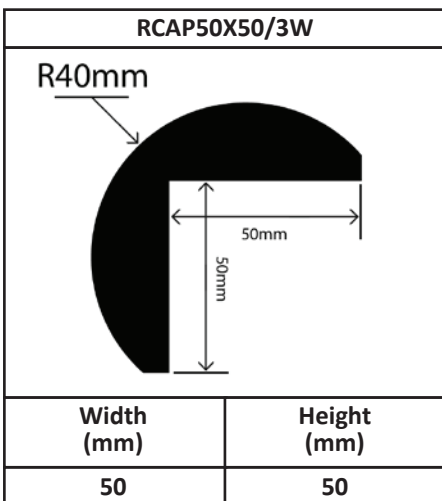
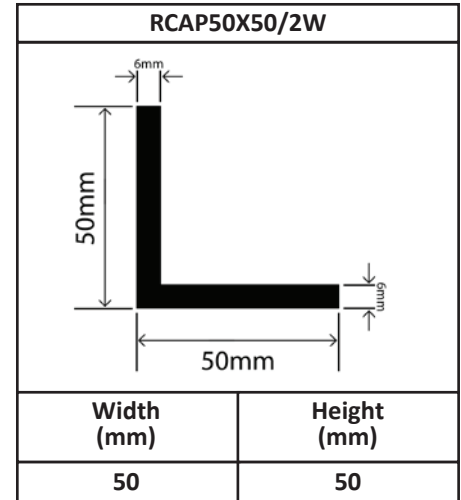
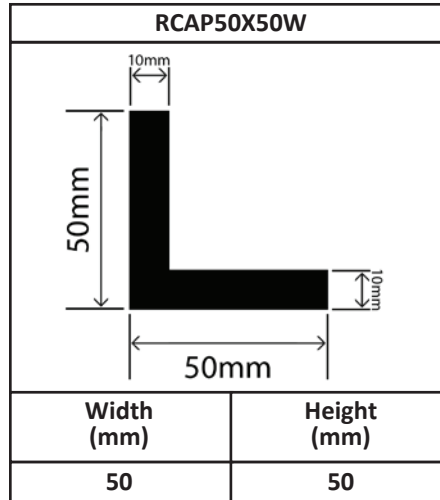
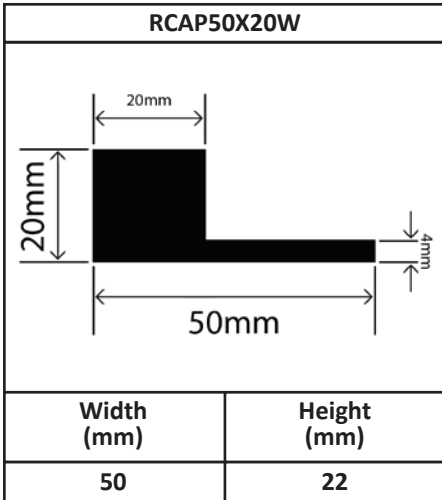
Rubber Angle Extrusions & L Profiles



Rubber Angle Extrusions & L Profiles



Rubber Angle Extrusions & L Profiles



Rubber Angle Extrusions & L Profiles

