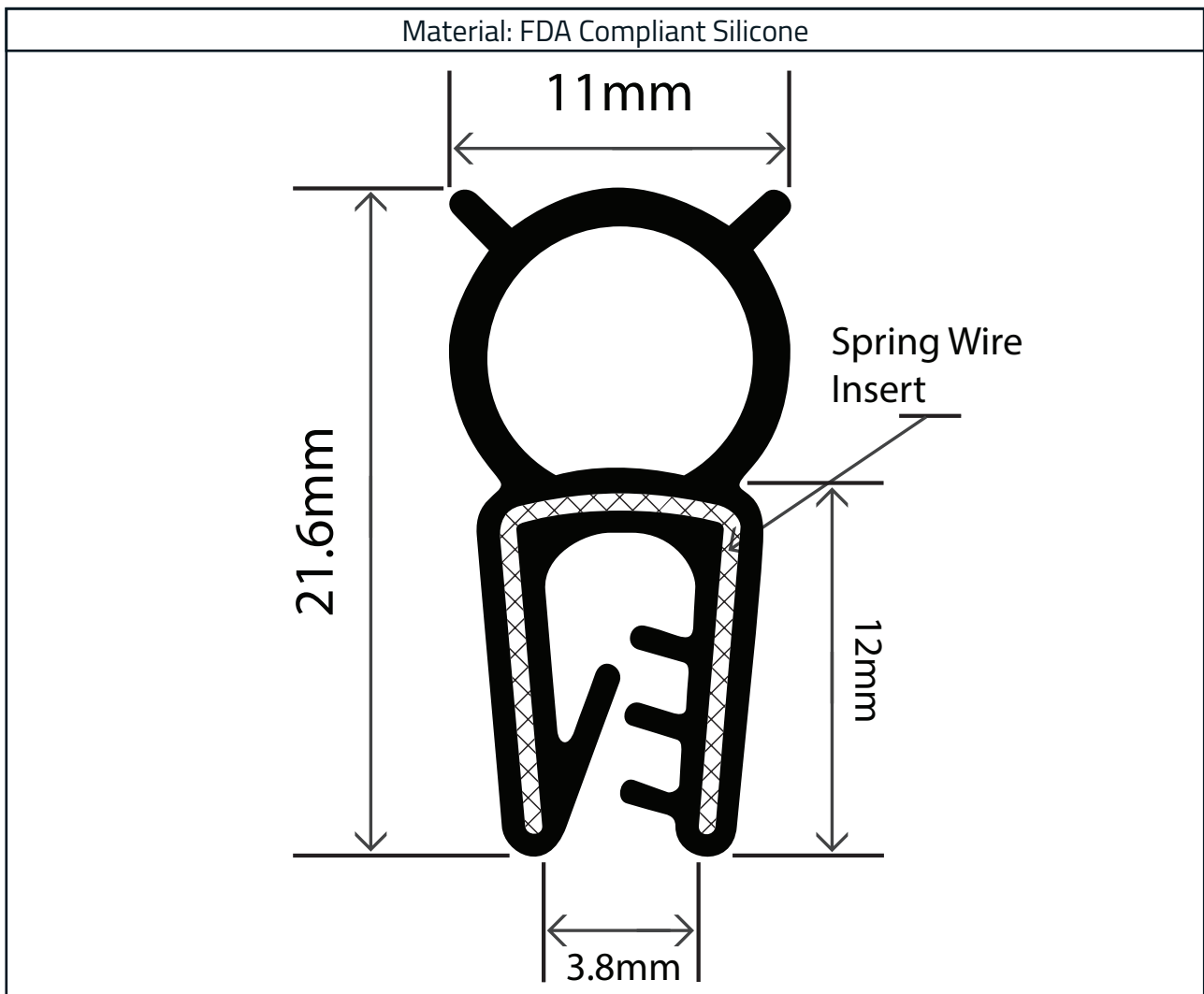


Silicone Self Grip Profile 11mm x 21.6mm

Product Code: RCSET2030



Measurements:

Height	Width	To Fit Panel
21.6mm	11mm	1mm - 4mm

The information contained on this product information sheet is to be used as guidance. The advice is given in good faith and does not constitute any guarantee or recommendation for suitability. The Rubber Company cannot be held liable for any damage caused by incorrect installation. We hereby reserve the right to change the technical information herewith without notification or prior agreement.



Manufacturers · Designers · Distributors

Experts in Rubber

Key Features

- Socket with stainless steel inlay
- Fully flexible
- Compact or partly foamed silicone
- No additional fixing necessary
- Wide working temperature range

Technical Data

We manufacture this profile from a high quality, silicone rubber compound. It provides excellent resistance against thermal and chemical deterioration as well as being flame retardant to UL94-HB standards. This compound also offers good resistance against fuels and lubricants, and excellent resistance against water, water glycol mixture and salt spray, as well as a wide range of detergents (soaps, degreaser, water vapour etc.)

FDA listed ingredients to 177.2600

Material Specification

Properties	Test Method	Values
Polymer	-	Silicone
Hardness (Shore A)	DIN 53505	60° +/- 5°
Density	ISO 1183	Approx. 1.17 g/cm ³
Tensile Strength	ISO 37	10.4 MPa
Elongation at Break	ISO 37	390%
Tear Resistance	ASTM D 624 B	20 N/mm
Compression Set (22rs @ 175°C)	DIN ISO 815	50%
Dielectric Strength	VDE 0303	20 KV/mm
Temperature Range (Working)	-	-60°C to +200°C
Colour	-	Blue (RAL 5002)



The information contained on this product information sheet is to be used as guidance. The advice is given in good faith and does not constitute any guarantee or recommendation for suitability. The Rubber Company cannot be held liable for any damage caused by incorrect installation. We hereby reserve the right to change the technical information herewith without notification or prior agreement.