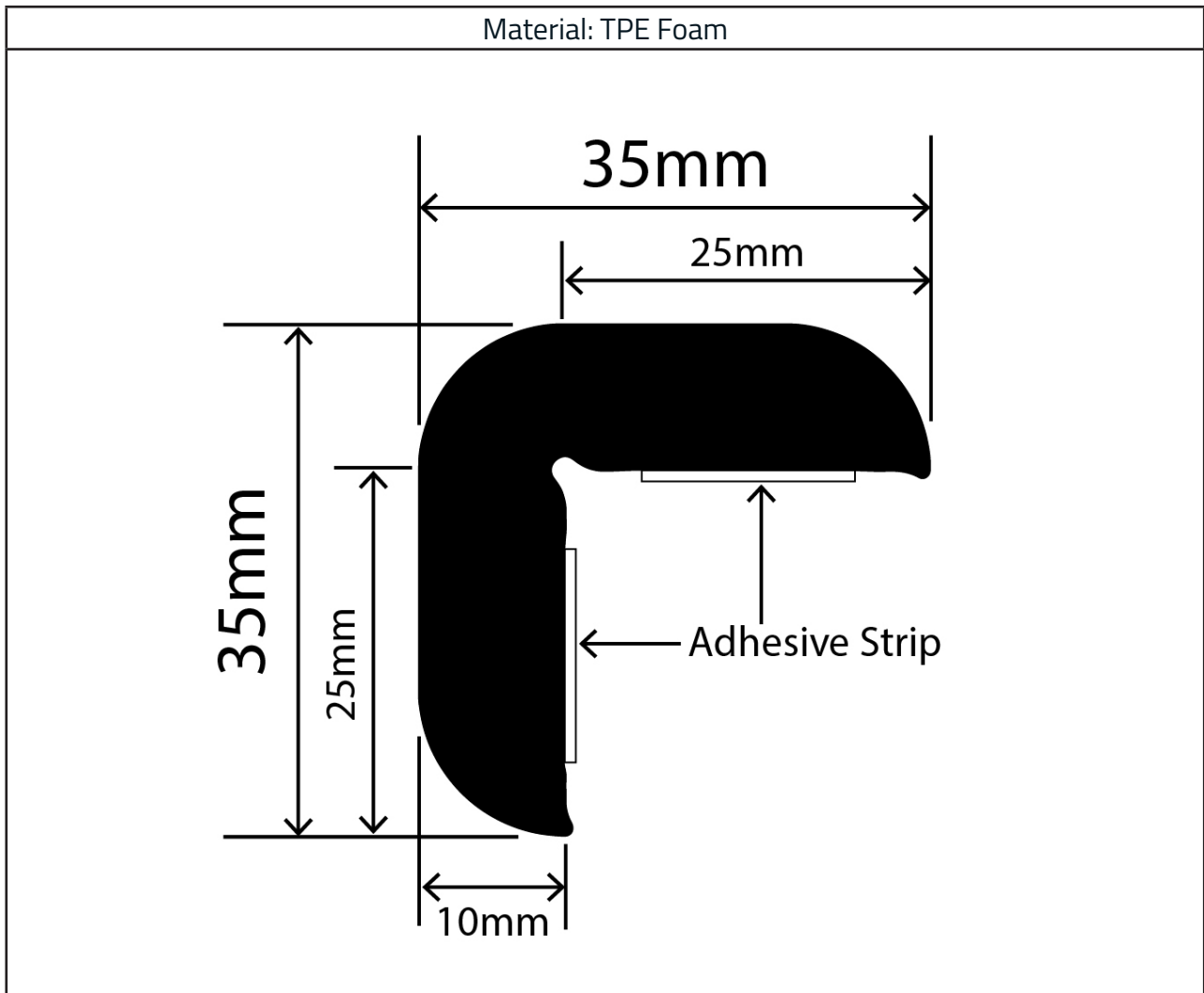


TPE Foam L-Shaped Corner Protection - 35mm x 35mm

Product Code: RC4590



Measurements:

Width	Height
35mm	35mm

The information contained on this product information sheet is to be used as guidance. The advice is given in good faith and does not constitute any guarantee or recommendation for suitability. The Rubber Company cannot be held liable for any damage caused by incorrect installation. We hereby reserve the right to change the technical information herewith without notification or prior agreement.



Manufacturers · Designers · Distributors

Experts in
Rubber

Technical Data

Property	Value
Compound	TPE Foam
Hardness (Shore A)	30°
Density	0.45
Tolerance	E2 - L2
Temperature Range	-30°C to +80°C
Colour	Black, Grey, Yellow
Size	35mm x 35mm x 2m



The information contained on this product information sheet is to be used as guidance. The advice is given in good faith and does not constitute any guarantee or recommendation for suitability. The Rubber Company cannot be held liable for any damage caused by incorrect installation. We hereby reserve the right to change the technical information herewith without notification or prior agreement.