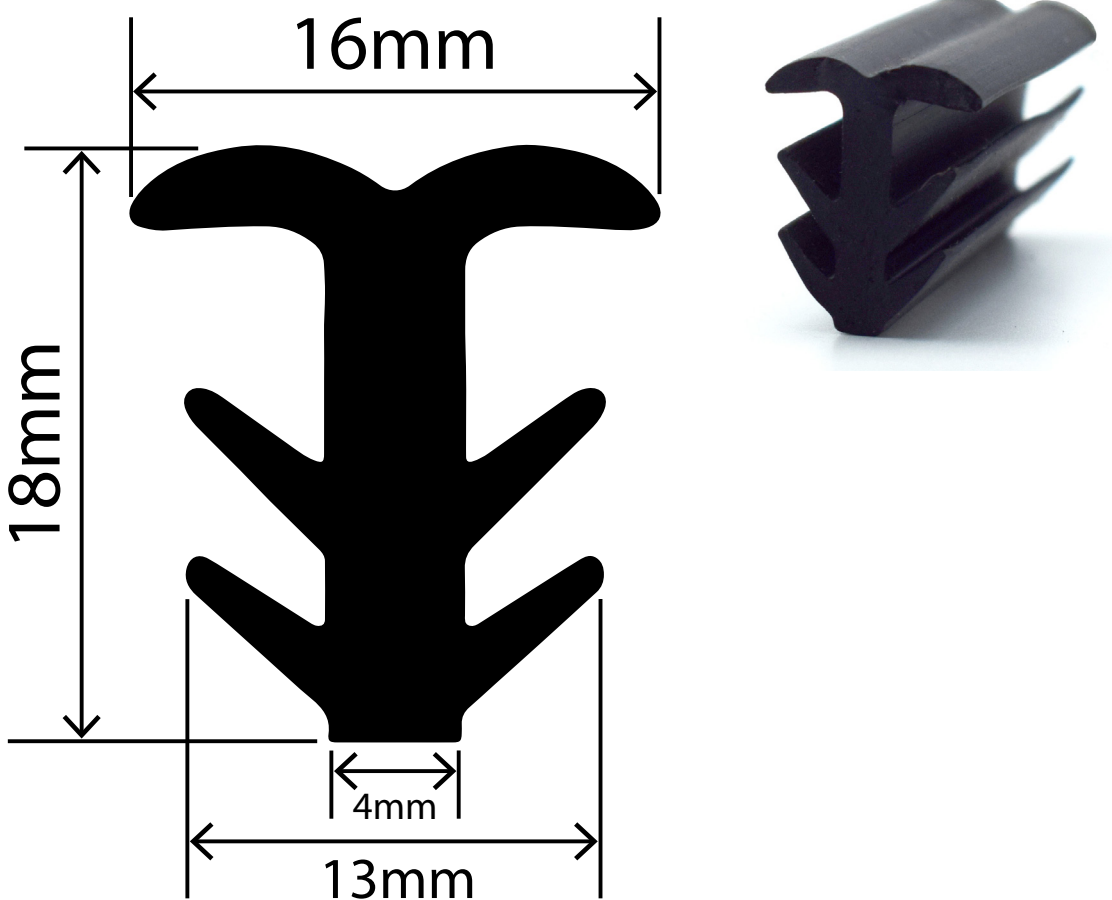


TPE Expansion Seal - 16mm x 18mm

Product Code: RCES107

Material: TPE	Tolerance: ISO 3302-1:2014 Class E2
	
Channel width: 9mm - 11mm	Coil length: 25m

The information contained on this product information sheet is to be used as guidance. The advice is given in good faith and does not constitute any guarantee or recommendation for suitability. The Rubber Company cannot be held liable for any damage caused by incorrect installation. We hereby reserve the right to change the technical information herewith without notification or prior agreement.

Technical Data

Property	Test Method	Value
Compound	-	TPV (PP-EPMD)
Colour	-	Black
Hardness (Shore A)	ISO 868	72°
Density (Specific Gravity)	ASTM D792 / ISO 1183	0.97
Tensile Strength	ASTM D412 / ISO 37	7.4 MPa
Elongation at Break	ASTM D412 / ISO 37	450 %
Remanent Deformation After Compression (22 h @ 70° C)	ASTM D395 B / ISO 815	30 %
Remanent Deformation After Compression (70 h @ 125° C)	ASTM D395 B / ISO 815	41 %
Working Temperature Range	-	-50° C to +90° C

Approvals



The information contained on this product information sheet is to be used as guidance. The advice is given in good faith and does not constitute any guarantee or recommendation for suitability. The Rubber Company cannot be held liable for any damage caused by incorrect installation. We hereby reserve the right to change the technical information herewith without notification or prior agreement.