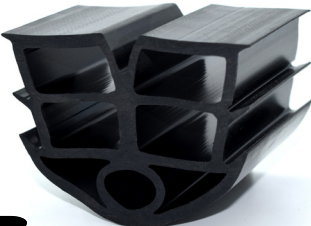
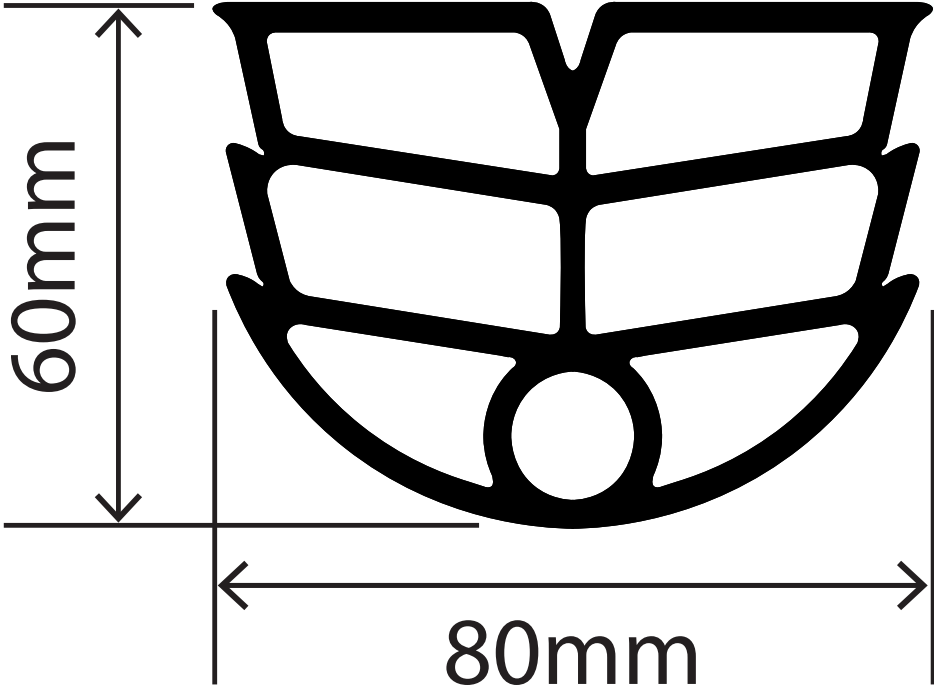


# EPDM Expansion Seal - 80mm x 60mm

Product Code: RCES1861-CK

Material: EPDM	Tolerance: ISO 3302-1:2014 Class E2
----------------	-------------------------------------

60mm

80mm

Channel width: 60mm - 75mm	Coil length: 10m
----------------------------	------------------

The information contained on this product information sheet is to be used as guidance. The advice is given in good faith and does not constitute any guarantee or recommendation for suitability. The Rubber Company cannot be held liable for any damage caused by incorrect installation. We hereby reserve the right to change the technical information herewith without notification or prior agreement.

## Technical Data

Property	Test Method	Value
Compound	-	Ethylene Propylene Diene Monomer
Colour	-	Black
Hardness (Shore A)	ISO 7619-1	70°
Tensile Strength	ISO 37	7.8 MPa
Elongation at Break	ISO 37	340 %
Tear Resistance	ISO 34-1	22.18 N/mm
Compression Set (22 h @ 100° C)	ISO 815	23.12 %
Low-Temperature Ageing Hardness Change (168 h @ -10° C)	DIN 53505	+4°
Ozone Resistance (72 h @ 40° C 50 ppm)	ISO 1431-1 A	No Cracking (Pass)
UV Resistance	ASTM D 1148	No Change (Pass)
Brittleness Point (24 h @ -40° C)	ISO 812	No Cracking (Pass)
Working Temperature Range	-	-40° C to +120° C

## Approvals



The information contained on this product information sheet is to be used as guidance. The advice is given in good faith and does not constitute any guarantee or recommendation for suitability. The Rubber Company cannot be held liable for any damage caused by incorrect installation. We hereby reserve the right to change the technical information herewith without notification or prior agreement.