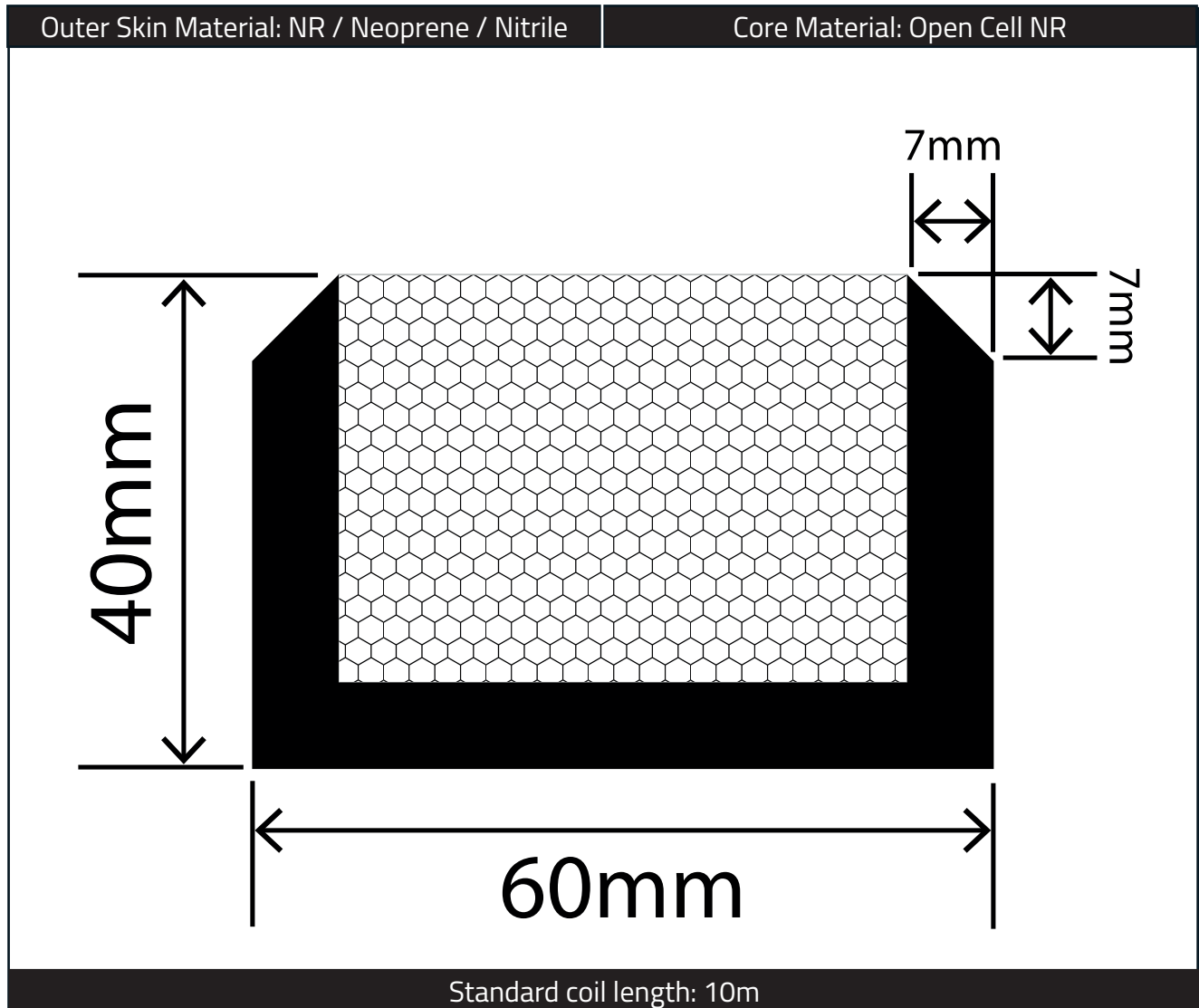


RubbaHatch Composite Hatch Seal - 60mm x 40mm

Product Code: RUBBAHATCH-60X40



The information contained on this product information sheet is to be used as guidance. The advice is given in good faith and does not constitute any guarantee or recommendation for suitability. The Rubber Company cannot be held liable for any damage caused by incorrect installation. We hereby reserve the right to change the technical information herewith without notification or prior agreement.

Outer Rubber Skin Material Specification - Natural Rubber

Property	Value
Compound	Natural Rubber / SBR
Hardness (Shore A)	60° / 70°
Density (Specific Gravity)	1.30
Tensile Strength	4.0 MPa
Compression Set (20 % deflection at 70° C)	15 % (Maximum)
Elongation at Break	200 %
Tolerances	BS 3734 BRMA
Working Temperature Range	-20° C to +120° C

Outer Rubber Skin Material Specification - Neoprene

Property	Value
Compound	Neoprene
Colour	Black
Hardness (Shore A)	70° ± 5°
Density (Specific Gravity)	1.30
Tensile Strength	5.0 MPa
Surface Finish	Cloth Finish
Test Code	ISO 4100
Compound Resistance	Oil / Heat / Chemical / Weathering / Ozone
Tolerances	BS 3734 BRMA
Working Temperature Range	-30° C to +120° C

The information contained on this product information sheet is to be used as guidance. The advice is given in good faith and does not constitute any guarantee or recommendation for suitability. The Rubber Company cannot be held liable for any damage caused by incorrect installation. We hereby reserve the right to change the technical information herewith without notification or prior agreement.

Outer Rubber Skin Material Specification - Nitrile

Property	Value
Compound	Nitrile
Colour	Black
Hardness (Shore A)	65° ± 5°
Density (Specific Gravity)	1.30
Tensile Strength	7.0 MPa
Surface Finish	Cloth Moulded
Test Code	ISO 4100
Compound Resistance	Oil / Heat / Chemical / Weathering / Ozone
Tolerances	BS 3734 BRMA
Working Temperature Range	-50° C to +120° C

Inner Core Material Specification

Property	Value
Compound	Natural Rubber
Cell Structure	Open Cell
Hardness (Shore A)	10° / 18° (Average)
Density	420 kg/m ³
Tensile Strength	295 kPa
Compression Deflection (at 25 %)	5 - 9 PSI
Compression Set (20 % deflection 70° C)	15 % (Maximum)
Elongation at Break	235 % - 250 %
Accelerated Ageing (change in compression deflection at 70 %)	± 20%
Working Temperature Range	-40° C to +70° C

The information contained on this product information sheet is to be used as guidance. The advice is given in good faith and does not constitute any guarantee or recommendation for suitability. The Rubber Company cannot be held liable for any damage caused by incorrect installation. We hereby reserve the right to change the technical information herewith without notification or prior agreement.