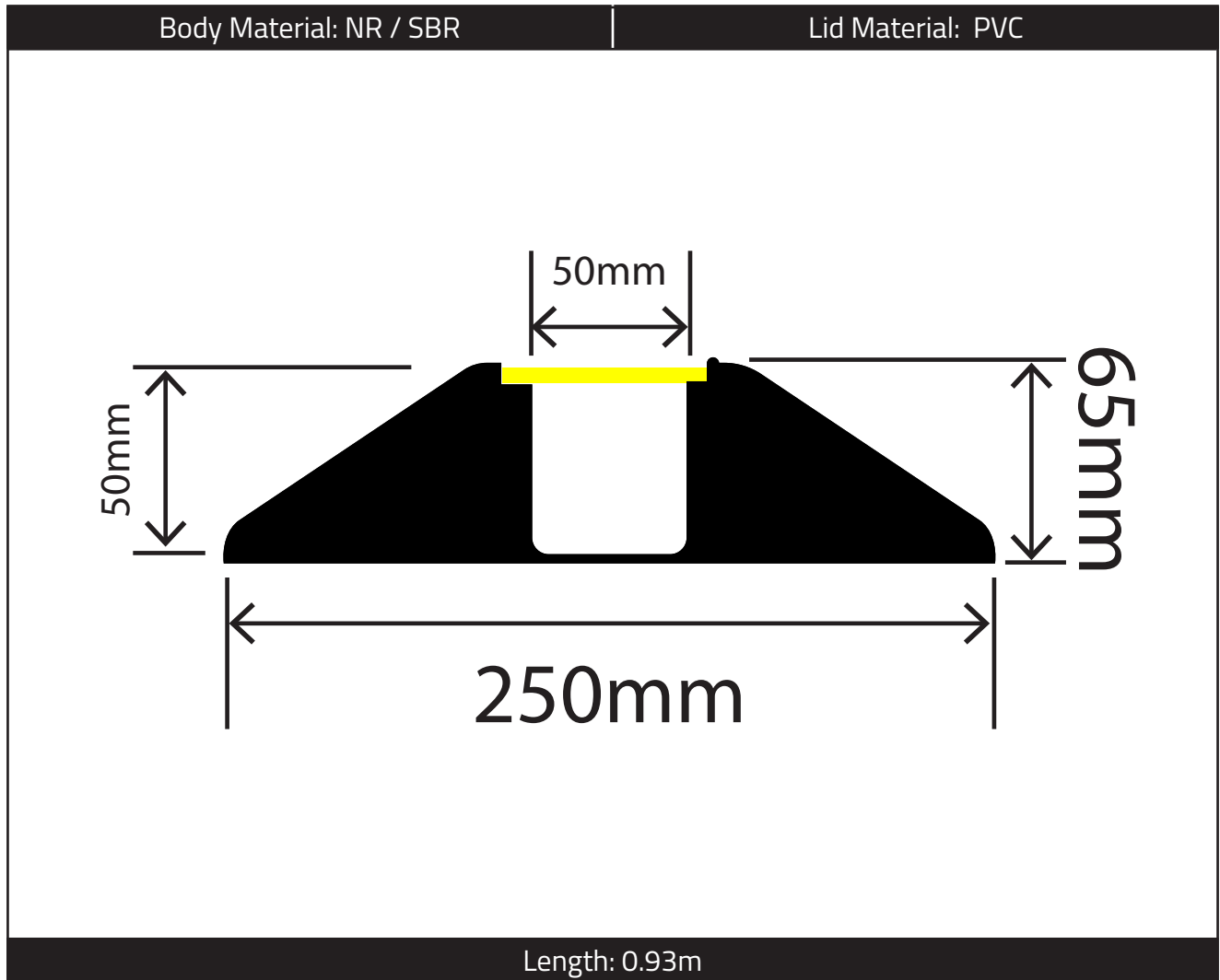


Heavy-Duty Hi-Vis Cable Protector - 250mm x 65mm

Product Code: RC-HDCP-250X65



The information contained on this product information sheet is to be used as guidance. The advice is given in good faith and does not constitute any guarantee or recommendation for suitability. The Rubber Company cannot be held liable for any damage caused by incorrect installation. We hereby reserve the right to change the technical information herewith without notification or prior agreement.

Key Features

- Heavy-duty construction with 12t weight-bearing capacity
- High-visibility flip-top lid
- One compartment for cables
- Interlocking connections to increase length
- Ideal for temporary installations / events
- Excellent UV resistance for outdoor use
- Doubles as a speed-calming device (5-10mph traffic)
- Supplied in 0.93m lengths

Material Specification

Property	Value
Body Material	Natural rubber / styrene-butadiene rubber blend
Lid Material	Polyvinyl chloride
Weight-Bearing Capacity	12 tonnes
Weight	8.5 kg
Colour	Black / yellow

The information contained on this product information sheet is to be used as guidance. The advice is given in good faith and does not constitute any guarantee or recommendation for suitability. The Rubber Company cannot be held liable for any damage caused by incorrect installation. We hereby reserve the right to change the technical information herewith without notification or prior agreement.