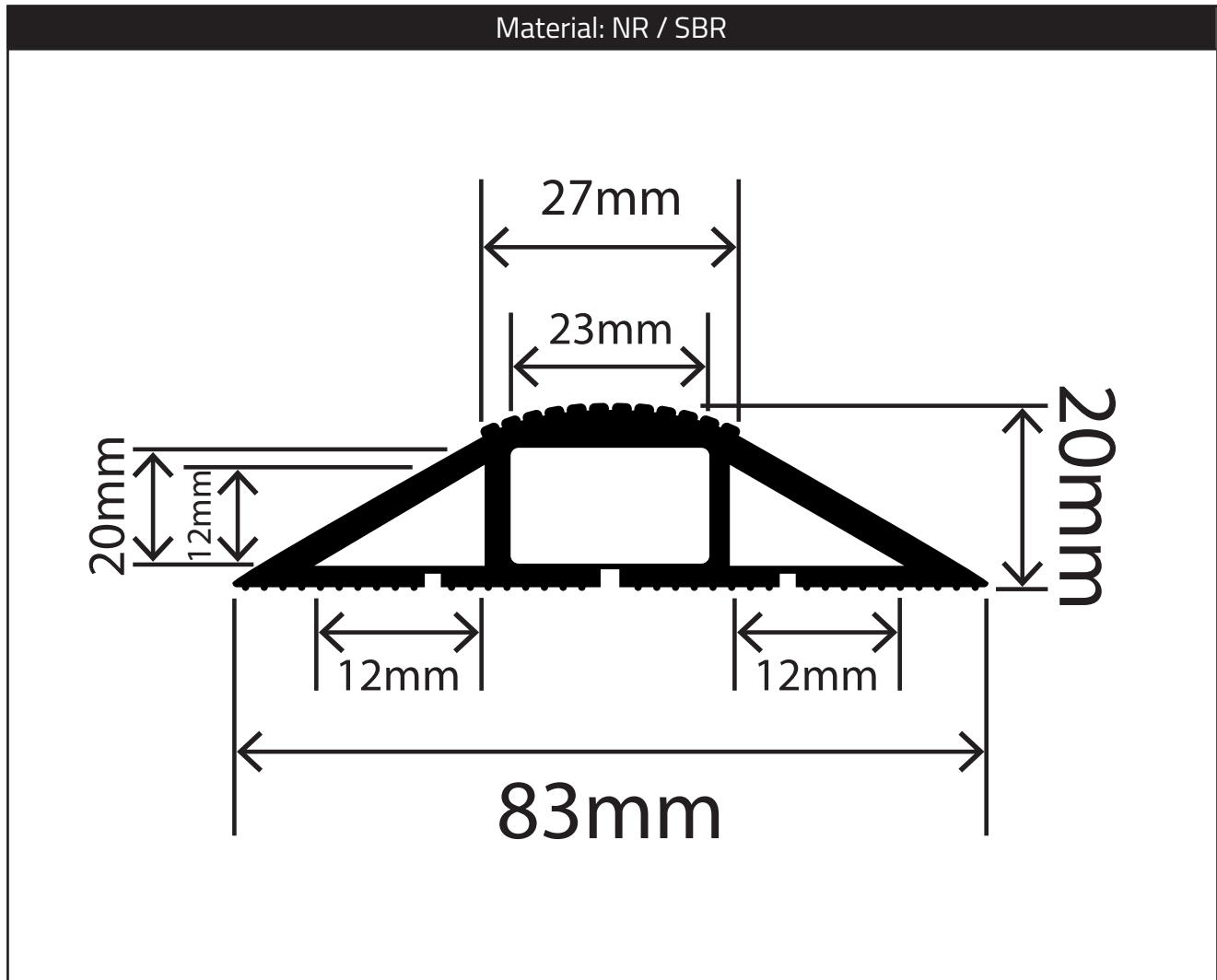


Multi-Fit Cable Protector - 83mm x 20mm

Product Code: RC-MFCP-83X20



The information contained on this product information sheet is to be used as guidance. The advice is given in good faith and does not constitute any guarantee or recommendation for suitability. The Rubber Company cannot be held liable for any damage caused by incorrect installation. We hereby reserve the right to change the technical information herewith without notification or prior agreement.

Key Features

- Ridged top section provides excellent anti-slip performance
- Three separate cable compartments
- Simple snap-fit system for cable insertion and removal
- Fire tested to BS 476 Part 7 Class 3
- Halogen-free in the event of fire
- Low smoke, non-toxic, and low emission
- Tested for non-conductivity to BS903-C5, 500V
- Excellent UV resistance for outdoor use
- Low profile for wheelchair access

Material Specification

| Property | Value |
|--------------------|---|
| Material | Natural rubber / styrene-butadiene rubber blend |
| Hardness (Shore A) | 75° ± 5° |
| Halogens | None |
| Fire Retardancy | BS 476 Part 7 Class 3 DIN Part 1 and Class B1 |
| Conductivity | Non-conductive to BS 903 Part C5 At 500v - >2000MΩ At 1000v - 205MΩ |
| Adhesion | Can be fixed using a neoprene contact adhesive or an epoxy resin |

The information contained on this product information sheet is to be used as guidance. The advice is given in good faith and does not constitute any guarantee or recommendation for suitability. The Rubber Company cannot be held liable for any damage caused by incorrect installation. We hereby reserve the right to change the technical information herewith without notification or prior agreement.