

Flame-Retardant UL 94 V-0 EPDM Sheeting

Product Code: RC0382

Key Features

- Flame resistance to DIN75200 -UL94V0
- Low toxicity of gases
- Low smoke density
- High flexibility and elongation
- Good weathering and ozone resistance
- Easy to cut to size

Attributes



Flame Retardant

Chemical-Resistant

Weather-Resistant

Available in:



Full Rolls

Cut Strips

Bespoke Gaskets

Technical Data

Property	Value
Compound	Ethylene Propylene Diene Monomer
Hardness (Shore A)	65° ± 5°
Tensile Strength	5 mPA
Density	1.5 g/cm ³
Elongation at Break	350 %
Fire Resistance Level	UL 94 V-0
Working Temperature	-40° C to +120° C
Colour	Black

Stock Sizes

Length	Width	Thickness
10m	1.4m	0.5mm
10m	1.4m	1mm
10m	1.4m	2mm
10m	1.4m	3mm
10m	1.4m	6mm

The information contained on this product information sheet is to be used as guidance. The advice is given in good faith and does not constitute any guarantee or recommendation for suitability. The Rubber Company cannot be held liable for any damage caused by incorrect installation. We hereby reserve the right to change the technical information herewith without notification or prior agreement.

UL 94 V-0 Test Report

List of Test Items

No.	Test Items	Result
1	Vertical Burning Test	Pass
Subcontract Whether parts of tests for the product have been subcontracted to other labs: <input type="checkbox"/> Yes <input checked="" type="checkbox"/> No If Yes, list the related test items and lab information: Test items: -- Lab information: --		
Remarks: The tests were conducted in accordance with the customer requirements. Test were carried out on samples without pretreatment.		

Test Item

Vertical Burning Test

Test Result

Criteria Conditions	No. 1	No. 2	No. 3	No. 4	No. 5
After flame time of the first time for each individual specimen t_1 (s)	1	1	1	1	1
After flame time of the first time for each individual specimen t_2 (s)	1	1	1	1	1
Afterflame plus afterglow time for each individual specimen after the second flame application (t_2+t_3) (s)	2	2	2	4	3
Sum of burning for 10 times with 5 samples (s)	10				
Afterflame or afterglow of any specimen up to the holding clamp	No	No	No	No	No
Cotton indicator ignited by flaming particles or drops	No	No	No	No	No
Remark: The specimens in that thickness to be classified V-0					

Interpretation of the results: The test results conform to the degree.

The information contained on this product information sheet is to be used as guidance. The advice is given in good faith and does not constitute any guarantee or recommendation for suitability. The Rubber Company cannot be held liable for any damage caused by incorrect installation. We hereby reserve the right to change the technical information herewith without notification or prior agreement.

Flame Test Diagram

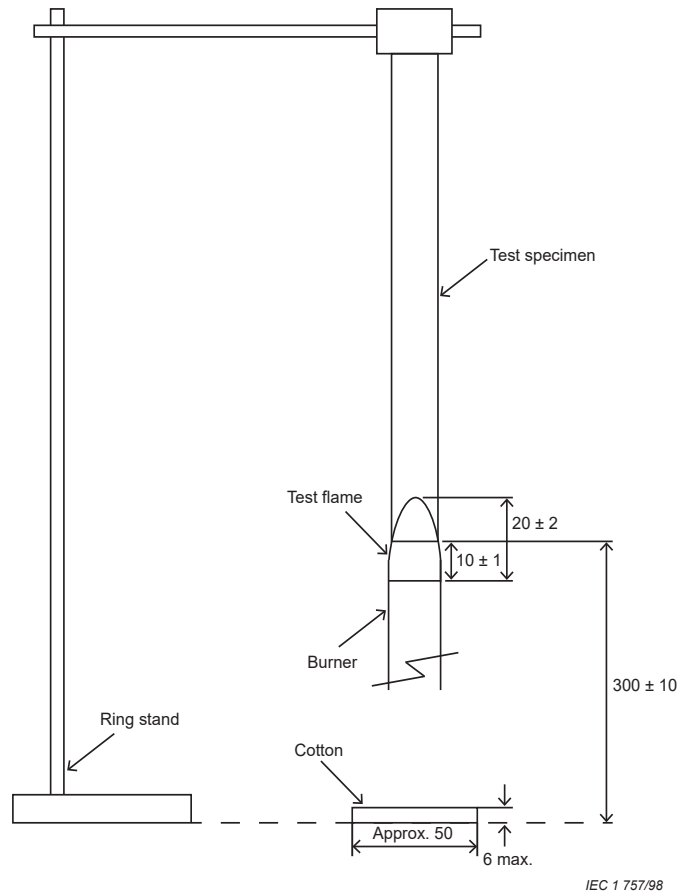
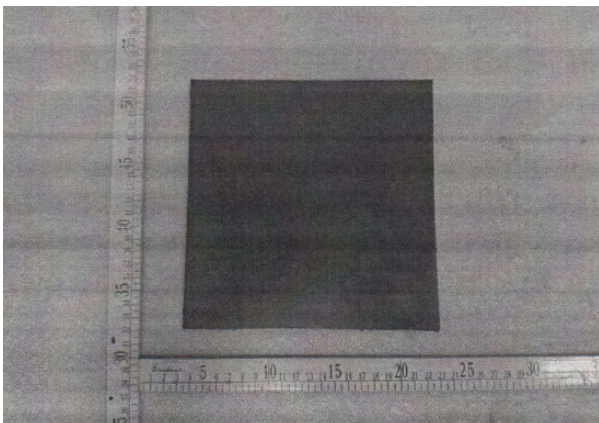
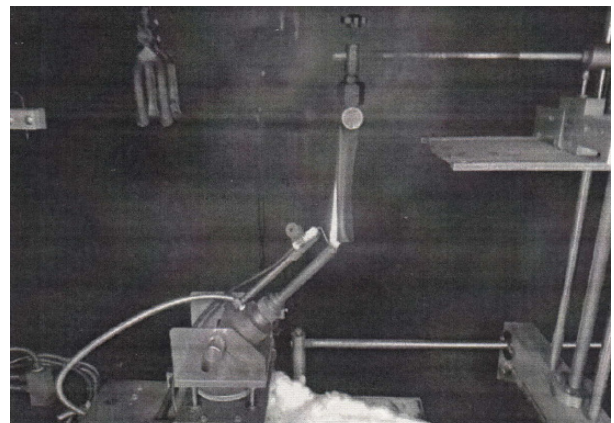


Photo Documentation



Sample used



During the test

The information contained on this product information sheet is to be used as guidance. The advice is given in good faith and does not constitute any guarantee or recommendation for suitability. The Rubber Company cannot be held liable for any damage caused by incorrect installation. We hereby reserve the right to change the technical information herewith without notification or prior agreement.

Test Equipment Used

Equipment	Model/Type
Temperature & Humidity Datalogger	608-H1
The experimental device for Vertical Burning Test	ZLT-UL 94
Digital Caliper	MITUTOYO, CD-6 " CSX
Clock	BUIACS, BC-DP7-61P

Approvals



The information contained on this product information sheet is to be used as guidance. The advice is given in good faith and does not constitute any guarantee or recommendation for suitability. The Rubber Company cannot be held liable for any damage caused by incorrect installation. We hereby reserve the right to change the technical information herewith without notification or prior agreement.