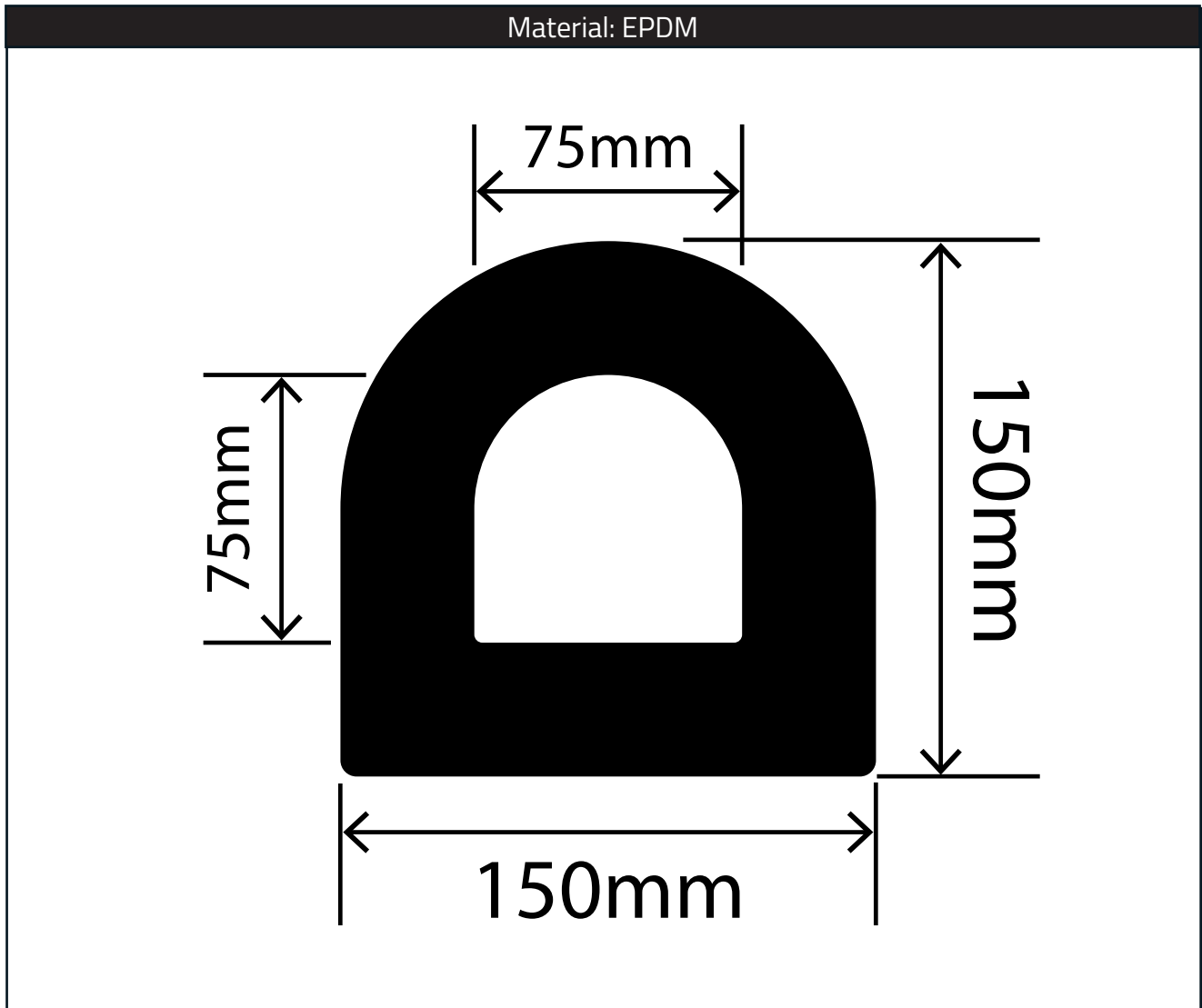


EPDM Hollow Rubber DD Fender - 150mm x 150mm

Product Code: RC0801-150



The information contained on this product information sheet is to be used as guidance. The advice is given in good faith and does not constitute any guarantee or recommendation for suitability. The Rubber Company cannot be held liable for any damage caused by incorrect installation. We hereby reserve the right to change the technical information herewith without notification or prior agreement.

Technical Data

Property	Value
Compound	Ethylene Propylene Diene Monomer
Colour	Black
Hardness (Shore A)	70°
Density (Specific Gravity)	1.26
Tensile Strength	9.0 MPa
Elongation at Break	275 %
Compression Set (22 h @ 70° C)	22.5 %
Ozone & Weathering Resistance	Fair
Dilute Acid & Bases Resistance	Fair
Heat Resistance (70 h @ 70° C)	
Change in Shore Hardness	+5°
Change in Tensile Strength	±10 %
Change in Elongation at Break	±15 %

Approvals



The information contained on this product information sheet is to be used as guidance. The advice is given in good faith and does not constitute any guarantee or recommendation for suitability. The Rubber Company cannot be held liable for any damage caused by incorrect installation. We hereby reserve the right to change the technical information herewith without notification or prior agreement.