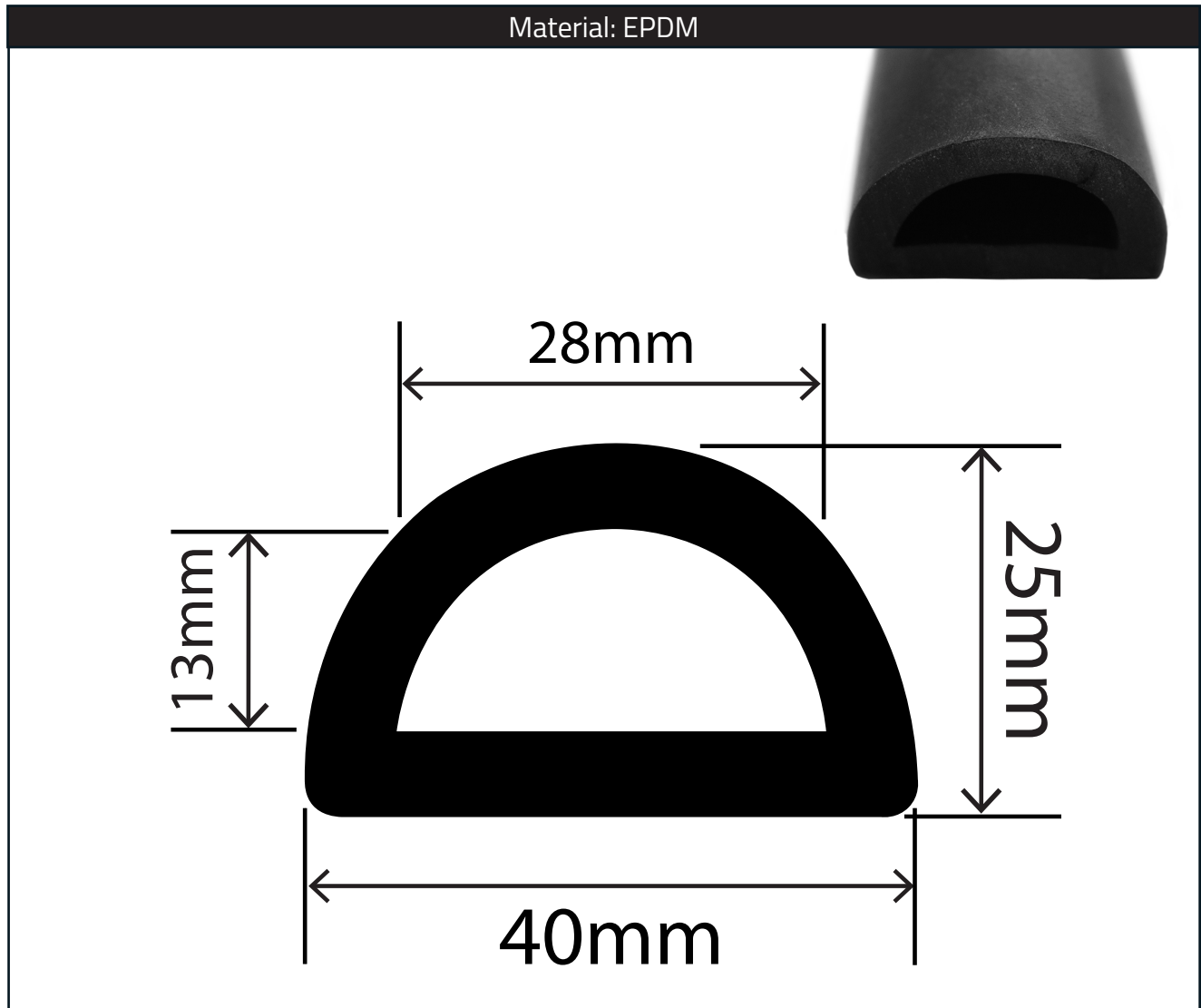


# EPDM Hollow Rubber DD Fender - 40mm x 25mm

Product Code: RC0801-40



The information contained on this product information sheet is to be used as guidance. The advice is given in good faith and does not constitute any guarantee or recommendation for suitability. The Rubber Company cannot be held liable for any damage caused by incorrect installation. We hereby reserve the right to change the technical information herewith without notification or prior agreement.

## Technical Data

Property	Test Method	Value
Compound	-	Ethylene Propylene Diene Monomer
Colour	-	Black
Hardness (Shore A)	ISO 7619-1 / DIN 53505 / ASTM D 2240	70°
Tensile Strength	ISO 37 / DIN 53504 / ASTM D 412	7.2 MPa
Elongation at Break	ISO 37 / DIN 53504 / ASTM D 412	305 %
Tear Strength	ISO 34-1	55 N/mm
Compression Set (24 h @ 100° C, 25 %)	ISO 815 / DIN 53517	23 %
Density	ISO 2781 / DIN 53479 / ASTM D 297	1.28 g/cm <sup>3</sup>
Rebound Resilience	DIN 53512 / ASTM D 1054	23 %
Ozone Resistance	ISO 1431-1 A	No Cracking (Pass)
Working Temperature Range	-	-40° C to +120° C

## Approvals



The information contained on this product information sheet is to be used as guidance. The advice is given in good faith and does not constitute any guarantee or recommendation for suitability. The Rubber Company cannot be held liable for any damage caused by incorrect installation. We hereby reserve the right to change the technical information herewith without notification or prior agreement.