

RubbaClean-R Y Profile Entrance Matting

Product Code: R-CLEAN-CRE-R

Key Features

- Durable aluminium entrance matting with rubber insert and Y-shaped profile
- Anti-slip to DIN 51130:2014-02 R12
- Flame-retardant to Cfl-s1
- Designed for high footfall and trolley traffic
- Excellent dirt, mud and snow scraping action
- Rollable for easy cleaning and maintenance

Attributes



Anti-Slip



Flame Retardant



Durable

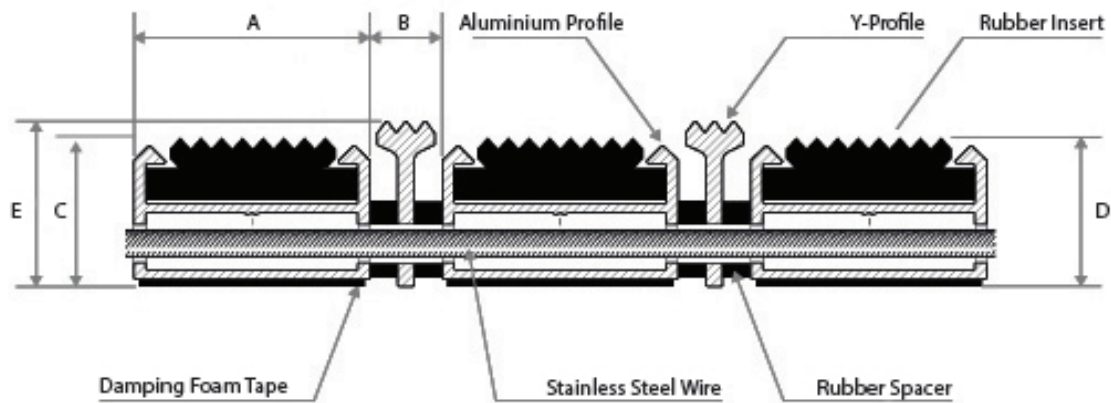


Technical Data

Property	Test Method	Value
Profile Material	-	Aluminium EN AW 6063 T6
Total Height with Rubber Insert	-	22mm
Application	-	Internal & External
Working Temperature Range	-	-40° C to +70° C
Colour	-	Grey, Black, Brown
Hygiene Certification	-	HK/B/0628/1/2014
Slip Resistance	DIN 51130:2014	R12
Fire Classification	PN-EN 13501-1 + A1:2010	Cfl-s1
Static Load	-	3500 kg / 100 cm ² - Standard Version 10000 kg / 100 cm ² - Strong Version
Rubber Insert		
Material	-	Styrene-Ethylene-Butylene-Styrene
Density	-	1.18 g/cm ³
Hardness (Shore A)	-	70° ± 3°
Tensile Strength	-	> 6 MPa

The information contained on this product information sheet is to be used as guidance. The advice is given in good faith and does not constitute any guarantee or recommendation for suitability. The Rubber Company cannot be held liable for any damage caused by incorrect installation. We hereby reserve the right to change the technical information herewith without notification or prior agreement.

Matting Profile



Measurements

Matting Type	A (mm)	B (mm)	C (mm)	D (mm)	E (mm)
RubbaClean-R Y Profile Matting - Standard	30	12.5	22	22	23
RubbaClean-R Y Profile Matting - Strong	32	12.5	22	22	23
RubbaClean-R Y Profile Matting - Wide	51	12.5	22	22	23

Approvals



The information contained on this product information sheet is to be used as guidance. The advice is given in good faith and does not constitute any guarantee or recommendation for suitability. The Rubber Company cannot be held liable for any damage caused by incorrect installation. We hereby reserve the right to change the technical information herewith without notification or prior agreement.