

RubbaClean-T Y Profile Entrance Matting

Product Code: R-CLEAN-CRE-T

Key Features

- Durable aluminium entrance matting with textile insert and Y-shaped profile
- Anti-slip to DIN 51130:2014-02 R11
- Flame-retardant to Cfl-s1
- Designed for high footfall and trolley traffic
- Good moisture absorption
- Rollable for easy cleaning and maintenance

Attributes



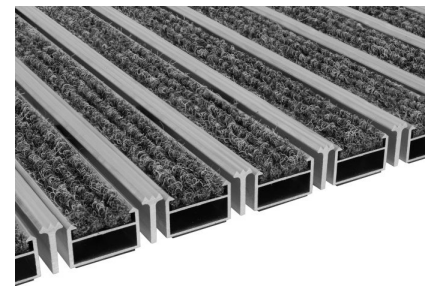
Anti-Slip



Flame
Retardant



Durable



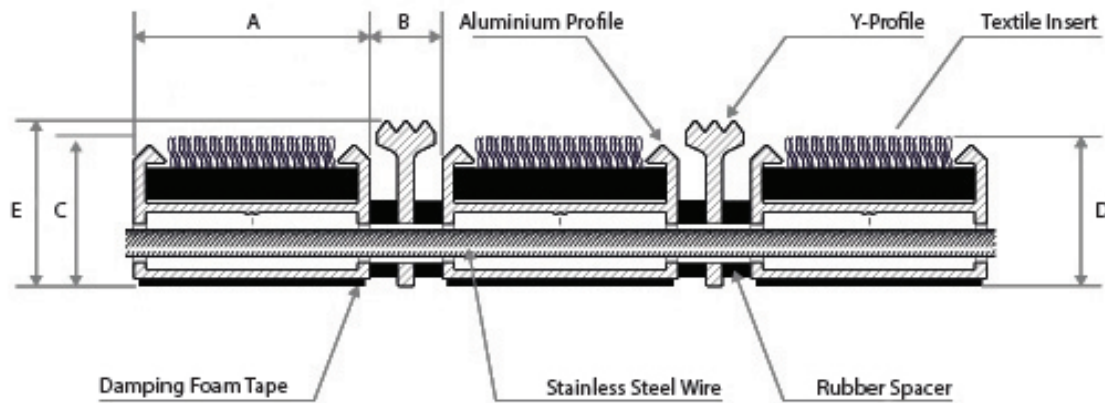
Technical Data

Property	Test Method	Value
Profile Material	-	Aluminium EN AW 6063 T6
Total Height with Textile Insert	-	22mm
Application	-	For Indoor Use
Working Temperature Range	-	+5° C and Above
Colour	-	Grey, Black, Brown
Hygiene Certification	-	HK/B/0628/1/2014
Slip Resistance	DIN 51130:2014	R11
Fire Classification	PN-EN 13501-1 + A1:2010	Cfl-s1
Static Load	-	3500 kg / 100 cm ² - Standard Version 10000 kg / 100 cm ² - Strong Version

The information contained on this product information sheet is to be used as guidance. The advice is given in good faith and does not constitute any guarantee or recommendation for suitability. The Rubber Company cannot be held liable for any damage caused by incorrect installation. We hereby reserve the right to change the technical information herewith without notification or prior agreement.

Property	Test Method	Value
Textile Insert		
Manufacturing Process	-	Felting
Fibre Composition	ISO 2424	100% Polypropylene (pp)
Fibre Weight	-	1180 g/m ²
Fibre Height	ISO 1765	4mm
Total Mass	ISO 8543	3630 g/m ² ± 15 %
Total Thickness	ISO 1765	9.5mm + 15 % / - 10 %
Material Permanently Anti-Static	ISO 6356	-

Matting Profile



Measurements

Matting Type	A (mm)	B (mm)	C (mm)	D (mm)	E (mm)
RubbaClean-T Y Profile Matting - Standard	30	12.5	22	22	23
RubbaClean-T Y Profile Matting - Strong	32	12.5	22	22	23
RubbaClean-T Y Profile Matting - Wide	51	12.5	22	22	23

The information contained on this product information sheet is to be used as guidance. The advice is given in good faith and does not constitute any guarantee or recommendation for suitability. The Rubber Company cannot be held liable for any damage caused by incorrect installation. We hereby reserve the right to change the technical information herewith without notification or prior agreement.

Approvals



The information contained on this product information sheet is to be used as guidance. The advice is given in good faith and does not constitute any guarantee or recommendation for suitability. The Rubber Company cannot be held liable for any damage caused by incorrect installation. We hereby reserve the right to change the technical information herewith without notification or prior agreement.